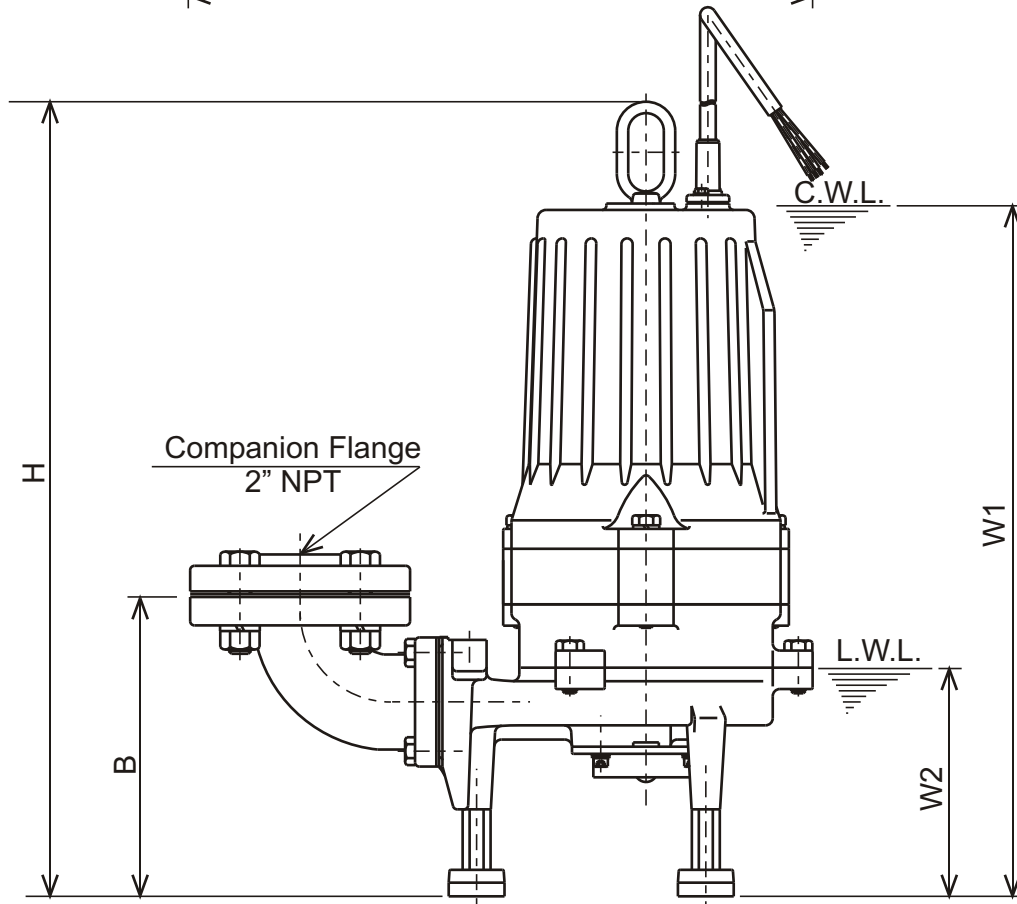
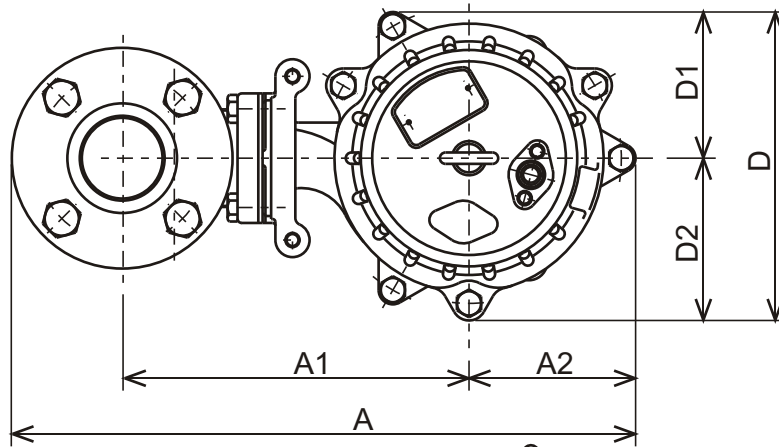




**MG - SERIES
GRINDER PUMPS**

DIMENSIONS



C.W.L. : Continuous running Water Level
L.W.L. : Lowest running Water Level

DIMENSIONS:USCS (Inch)

Model	HP	NOM. SIZE	Pump & Motor								C.W.L. W1	L.W.L. W2	Wt. (lbs.)
			A	A1	A2	B	D	D1	D2	H			
50MG21.5-62	2	2"	14 3/16	8 1/8	4 5/8	7 15/16	8 9/16	4 1/16	4 1/2	21 15/16	19 1/8	6 1/4	79

DIMENSIONS:METRIC (mm)

Model	kW	NOM. SIZE	Pump & Motor								C.W.L. W1	L.W.L. W2	Wt. (kg)
			A	A1	A2	B	D	D1	D2	H			
50MG21.5-62	1.5	50	360	207	117	201	217	103	114	558	485	160	36



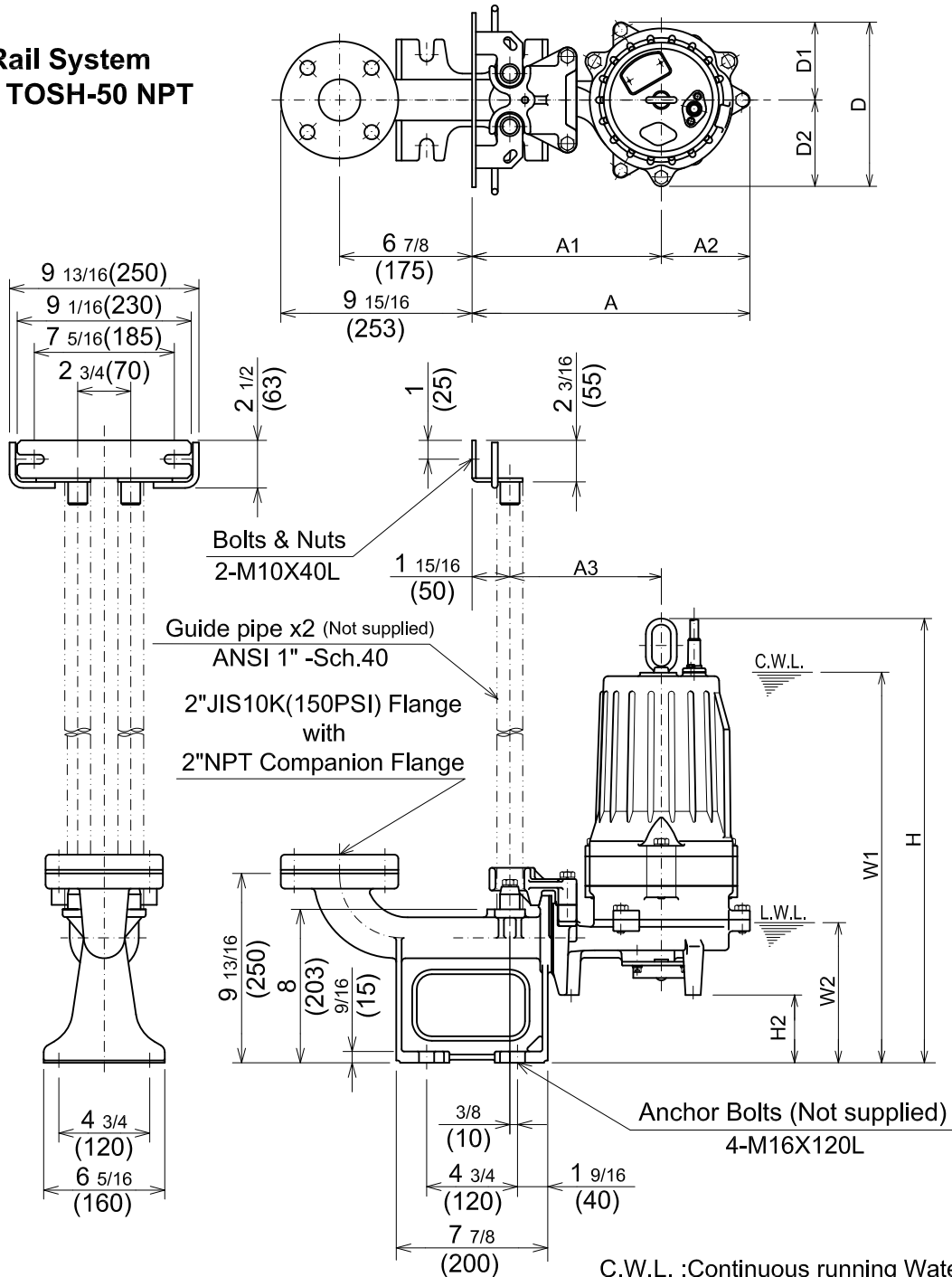
TSURUMI PUMP

**MG-SERIES
GRINDER PUMPS**

DIMENSIONS

TOS50MG21.5 -62

**Guide Rail System
Model : TOSH-50 NPT**



C.W.L. :Continuous running Water Level
L.W.L. :Lowest running Water Level

DIMENSIONS:USCS(Inch)

Model	HP	NOM. SIZE	Pump & Motor									C.W.L.	L.W.L.	*Wt. (lbs.)
			A	A1	A2	A3	D	D1	D2	H	H2			
TOS50MG21.5 -62	2	2"	14 7/16	9 13/16	4 5/8	7 7/8	8 9/16	4 1/16	4 1/2	23 1/8	3 9/16	20 1/4	7 1/4	79

DIMENSIONS:METRIC(mm)

Model	kW	NOM. SIZE	Pump & Motor									C.W.L.	L.W.L.	*Wt. (kg)
			A	A1	A2	A3	D	D1	D2	H	H2			
TOS50MG21.5 -62	1.5	50	367	250	117	200	217	103	114	587	90	515	185	36

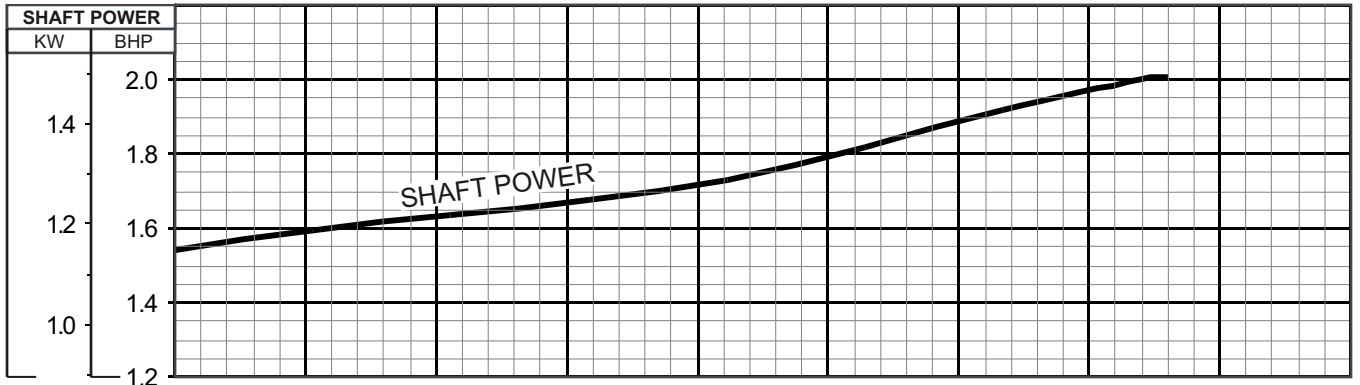
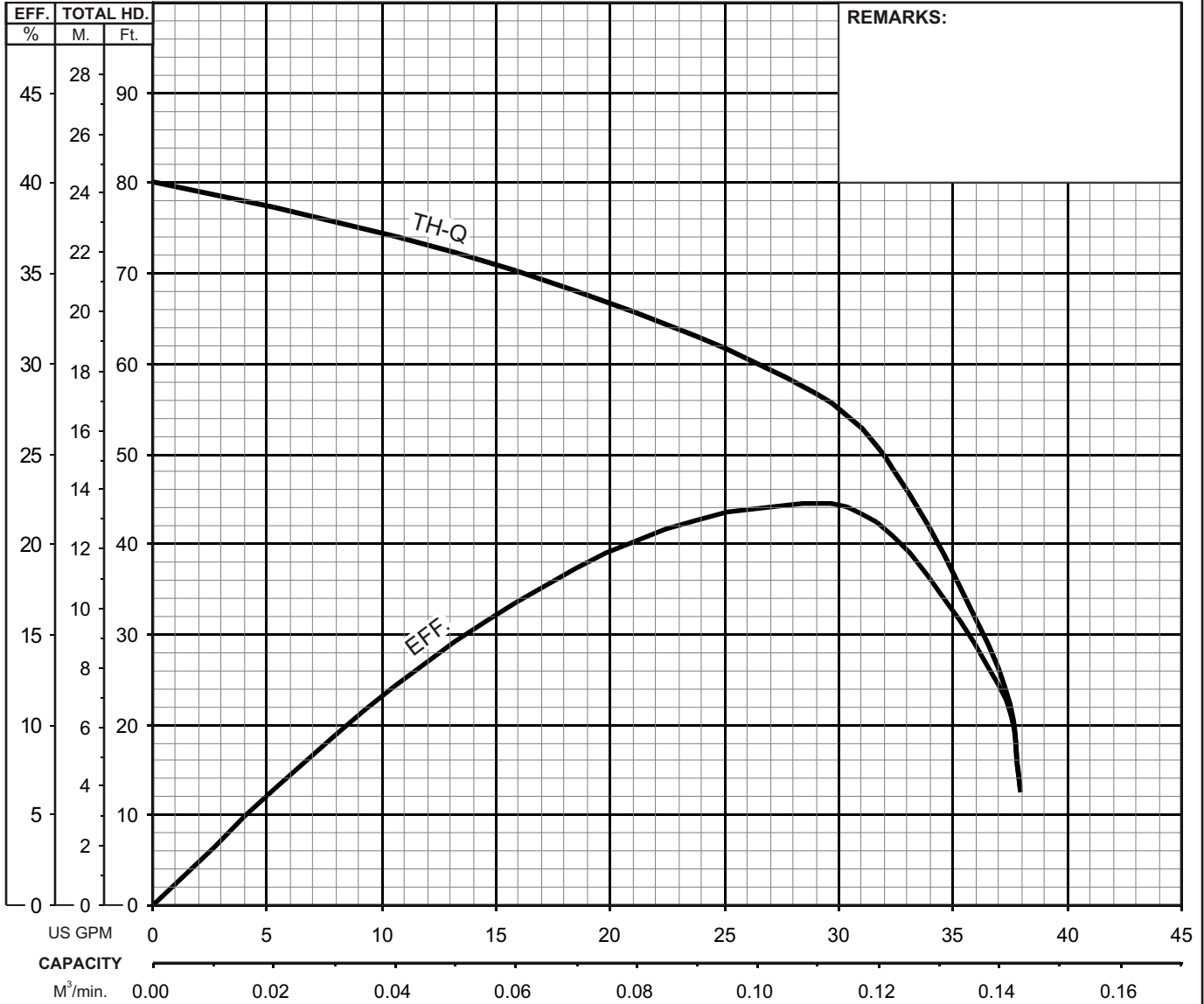
*Excluding Cable & TOS

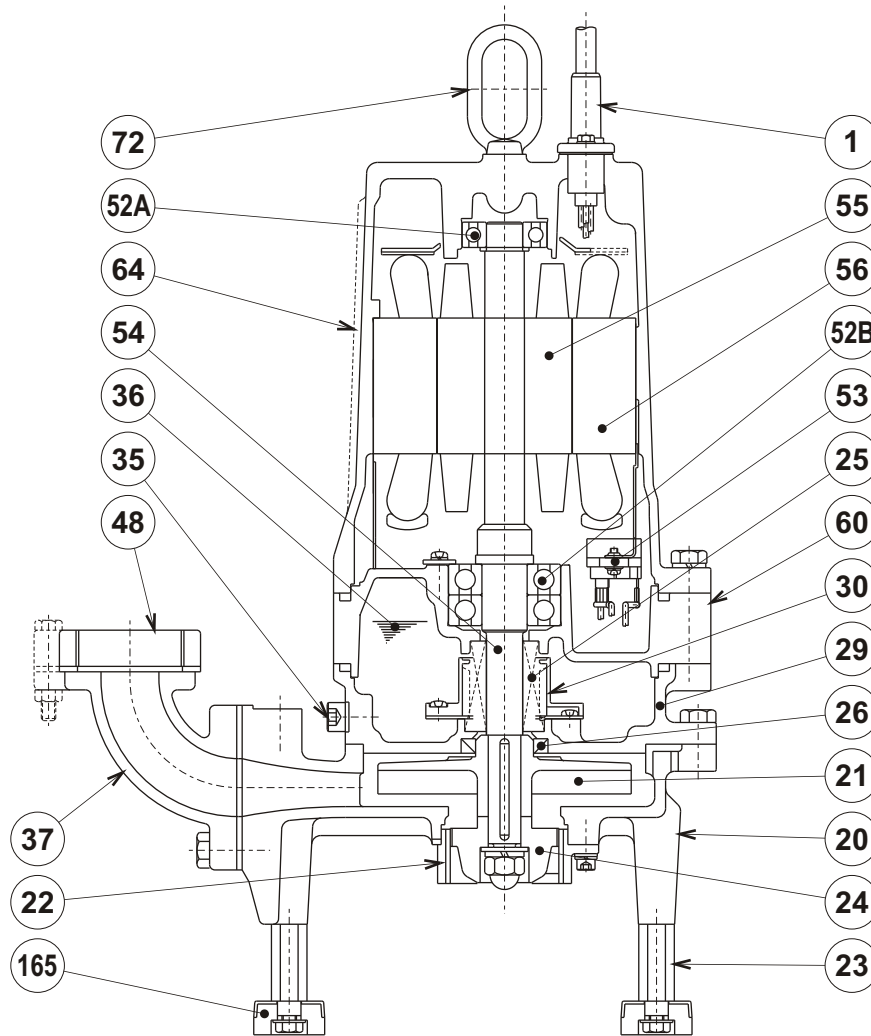


MG - SERIES GRINDER PUMPS

PERFORMANCE CURVE

MODEL	BORE	HP	KW	RPM	SOLIDS DIA	LIQUID	SG.	VISCOSITY	TEMP.
(TOS)50MG21.5 -62	2"/50mm	2	1.5	3480	0.2"/ 5mm	Water	1.0	1.123 cSt.	60°F
PUMP TYPE	PHASE	VOLTAGE	AMPERAGE	HZ	STARTING METHOD	INS. CLASS			
Grinder	3	208-230/460/575	6.7-6.6 / 3.3 / 2.6	60	Direct On Line	F			
CURVE No.	DATE	PHASE	VOLTAGE	AMPERAGE	HZ	STARTING METHOD	INS. CLASS		
-	-	-	-	-	-	-	-		



50MG21.5-62


PART#	DESCRIPTION	MAIN MATERIAL / NOTE	ASTM, AISI CODE	RELATED DIN CODE	QTY
1	Power Cable	PVC Sheath AWG16/4- 32ft			1
20	Pump Casing	Cast Iron	A48M Class30B	EN 1561 GJL-200	1
21	Impeller	Cast Iron	A48M Class30B	EN 1561 GJL-200	1
22	Stationary Blade	High Chrome Cast Iron (hardened)	A532 Class TypeA	DIN 1695 G-X260Cr27	1
23	Pump Stand	Stainless Steel	S 41000	1.4006	3
24	Rotatory Blade	High Chrome Cast Iron (hardened)	A532 Class TypeA	DIN 1695 G-X260Cr27	1
25	Mechanical Seal	Silicon Carbide/H-20			1
26	Oil Seal	Nitril Butadiene Rubber/TC32488			1
29	Oil Casing	Cast Iron	A48M Class30B	EN 1561 GJL-200	1
30	Oil Lifter	PBT Plastic W/(GF+MD)40			1
35	Oil Plug	Stainless Steel	S 30400	1.4301	1
36	Lubricant	Turbine Oil ISO VG32 or SAE 10W-20			
37	Discharge Bend	Cast Iron	A48M Class30B	EN 1561 GJL-200	1
48	Companion Flange	PBT Resin W/GF30 /NPT 2"			1
52A	Upper Bearing	#6204ZZC3			1
52B	Lower Bearing	#6305ZZD2C3			1
53	Motor Protector				1
54	Shaft	Stainless Steel	S 42000	1.4028	1
55	Rotor				1
56	Stator				1
60	Bearing Housing	Cast Iron	A48M Class25B	EN 1561 GJL-150	1
64	Motor Housing	Cast Iron	A48M Class25B	EN 1561 GJL-150	1
72	Lifting Lug Bolt	Stainless Steel	S 30400	1.4301	1
165	Rubber Cushion	Nitril Butadiene Rubber			3

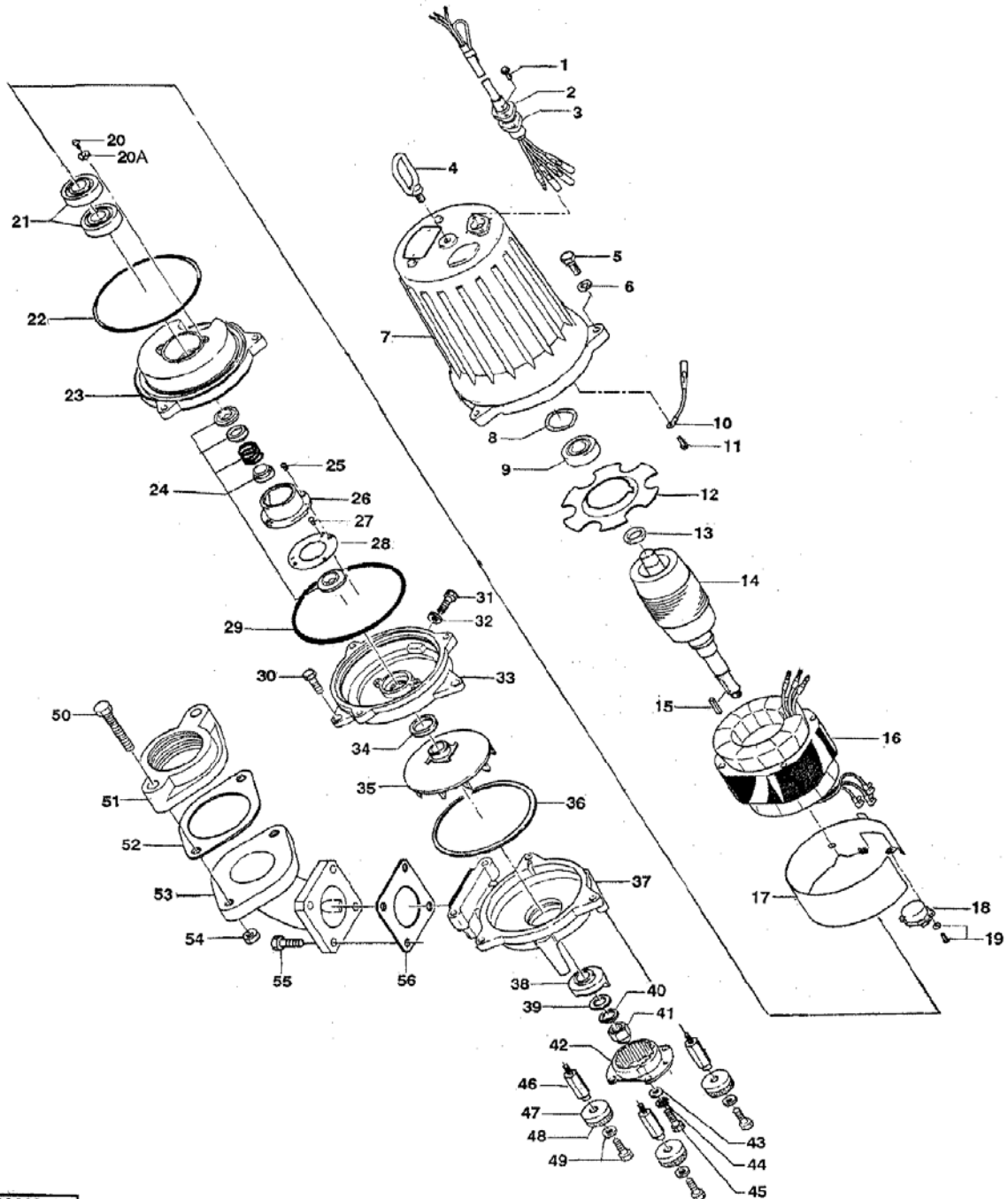
PARTS LIST		CONTRACTOR PUMP				5/21/2018
ITEM	PART No.	DESCRIPTION	QTY	SIZE	MATERIAL	NOTES
1	140-427-17	Hex.Bolt (w/Plain Washer)	2	M5x15	SUS304	
2	003-190-10	Gland	1		SUS316	
3	001-803-20	Cabtyre Cable Set (32') 60Hz (USA)	1	VCT4Cx1.25mm2	LBT	
4	072-000-03	Eye Bolt	1	M10	SUS304	
5	140-085-19	Hex.Bolt	3	M10x70	SUS304	
6	142-164-19	Spring Washer	3	M10	SUS304	
7	064-000-08	Motor Frame	1		FC	
8	142-389-12	Wave Washer	1	6204	SK5	
9	052-187-16	Bearing (w/O-ring)	1	AC-6204ZZC3		
10	009-211-16	Earth Terminal	1Set	1.25mm2x120L		
11	143-085-34	Pan Screw (w/Spring Washer)	1	M4x6	C3604	
12	058-000-13	Lead Wire Protection Plate	1	d61xd132x2t	Bakelite	
13	061-174-18	Slinger	1	d20xd27x2t	SPC	
14	055-000-05	Rotor	1Set			
15	147-000-01	Impeller Key	1	5x5x50.5L	SUS420	
16	056-001-18	Stator 208/230V-60Hz(USA)	1Set			
	056-001-19	Stator 460V-60Hz(USA)	1Set			
17	127-000-26	Protector Fixing Plate	1	KA313,d145	SPCC	
18	053-518-13	Motor Protector 208/230V-60Hz(USA)	1	KA313-GDXL103	(T.C)	
	053-477-19	Motor Protector 460V-60Hz(USA)	1	KA313-GQXL104	(T.C)	
19	143-126-12	Pan Screw (w/Spring Washer/Plain Washer)	2	M4x12	SWRM	
20	140-000-23	Hex.Bolt (w/Spring Washer)	2	M5x10	SWRM	
20A	062-187-17	Bearing Fixing Washer	2	d5.5xd18x2.3t	SPC	
21	052-155-15	Bearing	1Set	6305ZZD2C3		
22	122-145-12	O-Ring	1	G-170(169.3xd5.7)	NBR	
23	060-000-14	Bearing Housing	1		FC	
24	025-192-10	Mechanical Seal	1	H-20	SiC	
25	143-070-23	Pan Screw	2	M5x6	SWRM	
26	030-144-13	Oil Lifter	1	H-20(A)(T)	Resin	
27	143-070-10	Pan Screw	2	M5x6	SWRM	
28	030-153-15	Seal Stopper	1	H-20(A)	SPCC	
29	122-145-12	O-Ring	1	G-170(169.3xd5.7)	NBR	
30	140-076-17	Hex.Bolt	3	M10x30	SUS304	
31	035-124-12	Oil Plug	1	M10x15	SUS304	
32	121-246-11	Packing	1	d10.3xd16x2t	PE	
33	029-275-10	Oil Casing	1	15-MGC	FC	
34	026-107-11	Oil Seal	1	TC-32488	NBR	
35	021-E14-19	Impeller (60Hz)	1	50MG21.5-62	FC	

PARTS LIST		CONTRACTOR PUMP				5/21/2018
ITEM	PART No.	DESCRIPTION	QTY	SIZE	MATERIAL	NOTES
36	121-410-18	Packing	1	d158xd176x0.5t	PE	
37	020-801-14	Pump Casing	1	15-MGC	FC	
38	024-137-14	Rotating Cutter	1	15-MGC	HiCrFC	
39	142-116-16	Plain Washer	1	M12(D=21)	SUS304	
40	142-165-10	Spring Washer	1	M12	SUS304	
41	141-032-14	Hex.Cap Nut	1	M12	SUS304	
42	022-000-59	Stationary Cutter	1	15-MGC	HiCrFC	
43	142-113-13	Plain Washer	4	M6(D=11.5)	SUS304	
44	142-162-17	Spring Washer	4	M6	SUS304	
45	140-249-13	Hex.Socket Cap Bolt	4	M6x15	SUS304	
46	144-502-19	Stud Bolt	3	M8x67(-18/16.5)	SUS410	
47	047-113-28	Impeller Thread Protect.Cover	3	No.3A(13.5)	SUS304	
48	165-008-15	Rubber Feet	3	15/37-MGC	NBR	
49	140-487-15	Hex.Bolt (w/Plain Washer)	3	M8x20	SUS304	
50	140-059-14	Hex.Bolt	2	M8x45	SUS304	
51	048-274-18	Screwed Flange	1	NPT-2(P.C.90)	Resin	
52	121-469-12	Packing	1	P.C.90xd58x2t	NR	
53	037-319-12	Discharge Bend	1	32mm(15-MGC)	FC	
54	141-005-18	Hex.Nut	2	M8	SUS304	
55	140-079-10	Hex.Bolt	4	M10x40	SUS304	
56	121-142-16	Packing	1	90mm2(P.C.98)	NBR	
	173-460-14	Packing O-Ring Set	1Set	(Marked by *)		
22	122-145-12	O-Ring (M.Frame/Brg.Housing)	1	G-170(169.3xd5.7)	NBR	
29	122-145-12	O-Ring (Brg.Housing/O.Casing)	1	G-170(169.3xd5.7)	NBR	
32	121-246-11	Packing (Oil Plug)	1	d10.3xd16x2t	PE	
36	121-410-18	Packing (O.Casing/P.Casing)	1	d158xd176x0.5t	PE	
52	121-469-12	Packing (Screwed Flange)	1	P.C.90xd58x2t	NR	
56	121-142-16	Packing (Discharge Bend)	1	90mm2(P.C.98)	NBR	
		Lubricant		Turbine Oil VG32 1,050ml		

PARTS LIST		CONTRACTOR PUMP				5/21/2018
ITEM	PART No.	DESCRIPTION	QTY	SIZE	MATERIAL	NOTES

EXPLODED VIEW

32MG21.5-52/62
50MG21.5-62



C-00660-1